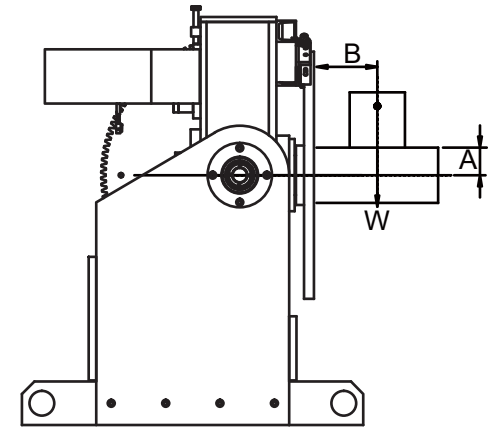
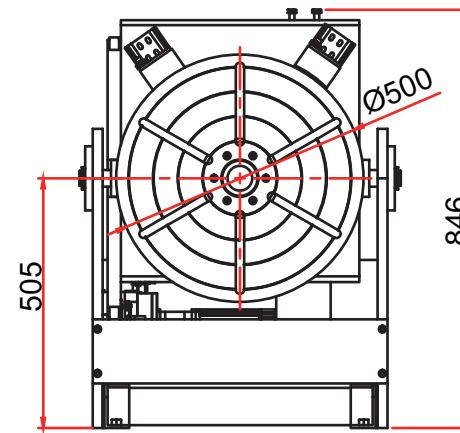
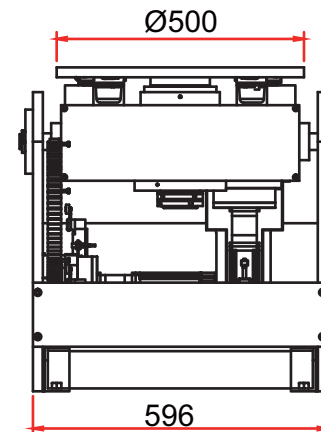


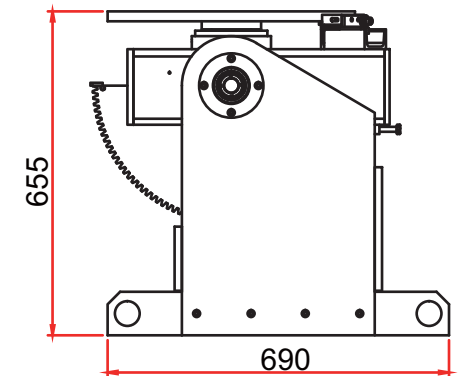
RSP-300A-NC Servo Positioner



- Can installation with the robot servo motor of every brand
- Rotate motor recommended : AC400W Servo motor
(Provide motor mounting dimensions, motor output shaft D11mm.- D19mm..)
- Tilt motor recommended : AC400W Servo motor
(Provide motor mounting dimensions, motor output shaft D11mm.- D19mm..)

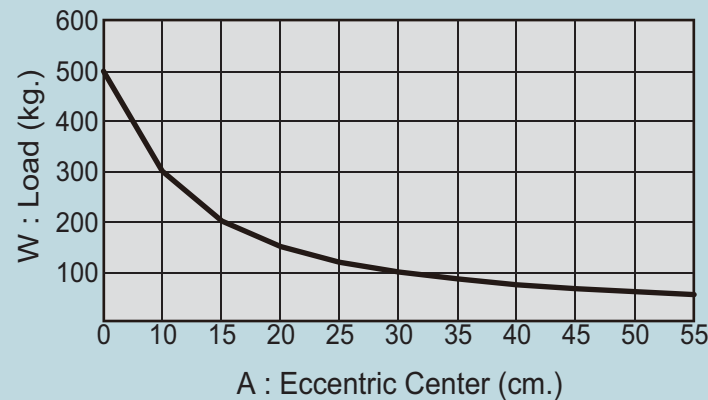


UNIT:mm

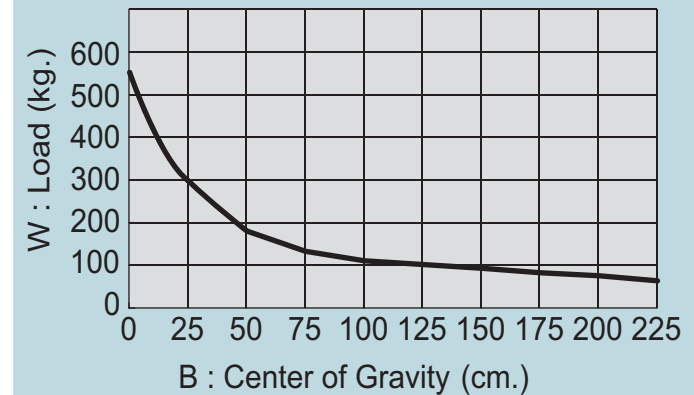


Specification	RSP-300A-NC
Table Dia.	500mm.
Spindle Thru Hole	45mm.
Capacity (W)	300Kg.
Eccentricity (A)	110mm.
Table Rotate Reduction ratio	1/160
Rotate angle error	+ / - 0.15 degree
Center of Gravity (B)	170mm.
Table tilt angle	0° - 90°
Table Tilt Reduction ratio	1/1200
Table tilt angle error	+ / - 0.15 degree

RSP-300A-NC Positioner Eccentric Load



RSP-300A-NC Center of Gravity



The positioner load limit is calculated using the allowable torque of the reducer.